



Stay Connected

Big Performance From A Small Package

When delivering or maintaining communications is vital, the **RCT40** remote communications trailer offers a quick, dependable link to keep voice and data flowing.

Whether reestablishing existing communications, or setting up a new link, the **RCT40** makes it easy to be in operation and maintain contact.

Quickly towed or air-lifted into position, the **RCT40** offers a critical link in time of need, plus features not previously found on mobile units.

RCT40 features:

- Large capacity in a compact package
- Fast set up
- Integrated design maximizes capability
- Rugged welded aluminum all-weather construction
- Reduced weight for delivery by land or air
- Three configurations - shipping, towing, operational
- 40 ft telescoping antenna mast
- Climate-controlled equipment/personnel compartment
- Choice of generator or shore power
- Custom antenna mounting platforms

RCT40

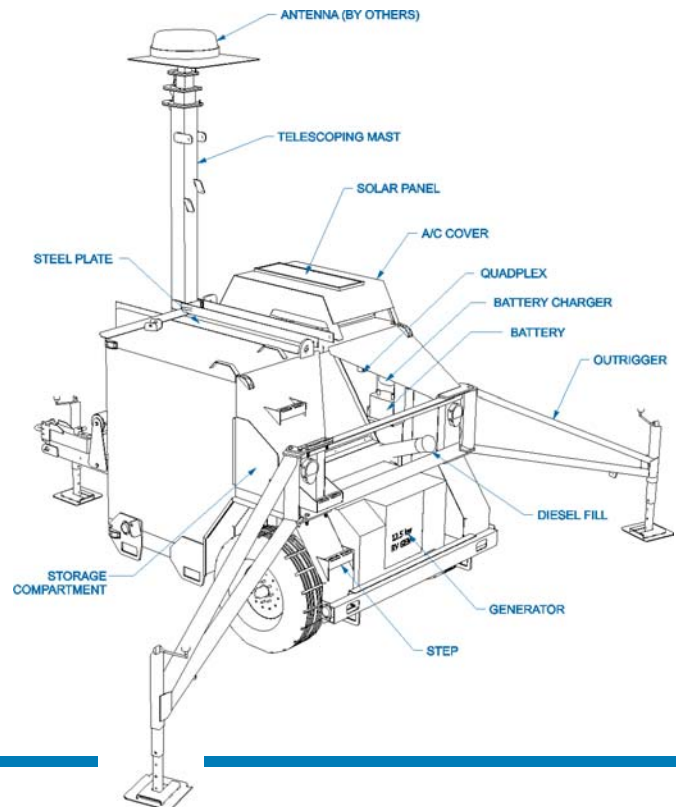
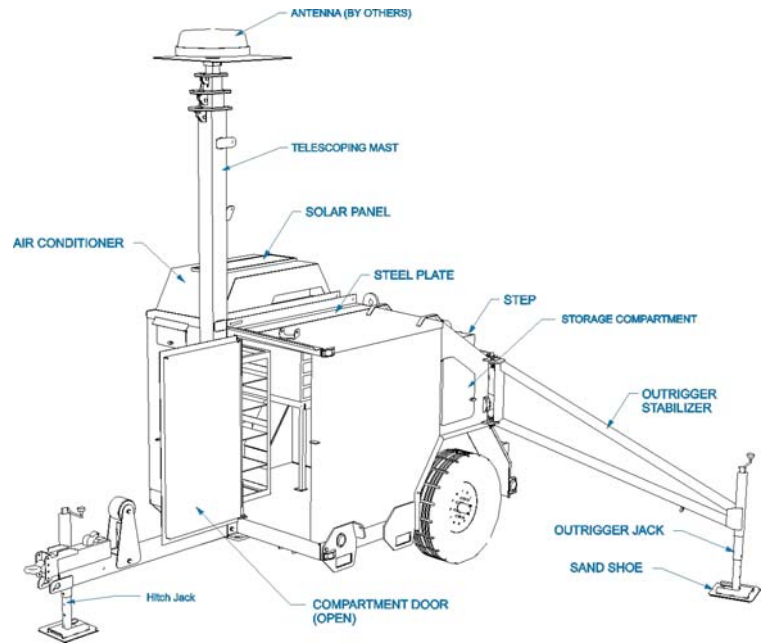
The RCT40 remote communication trailer offers a compact, integrated solution for housing, transporting, and protecting remote-site communication link systems, supporting a new age of connectivity.

Standard Features

- Compact, integrated design
- Outdoor, all-weather construction
- High capacity equipment/personnel compartment
- Personnel door with latch
- Reduced weight for towing and air-lifting
- Shipping, towing, and operational configurations
- Quick, easy set up
- Accommodates range of antennas and sensors

Operational Features

- 40ft telescoping aluminum antenna mast
- Wide-stance, three-point stabilization
- Supplemental guy wire mast supports
- Compartment cooling and heating
- Interior lighting
- Quiet diesel generator
- Solar battery charger
- Rugged torsion suspension
- Retractable towing hitch
- Choice of couplers
- Highway towing lights and reflectors
- Tie-down and lifting lugs
- Auxiliary storage compartments
- Custom antenna/sensor mounting plates
- Antenna cable bulkhead



Specifications

DIMENSIONS

	SHIPPING	TOWING	OPERATIONAL	WEIGHT	
LENGTH	134" (340 cm)	174" (442 cm)	169" (429 cm)	EMPTY	3,680 lbs (1669 kg)
WIDTH	91" (231cm)	91" (231cm)	238" (605cm)	GVWR	4,700 lbs (2132 kg)
HEIGHT	101" (257cm)	101" (257cm)	40' (12.2 m)		