

# MST-14

## Mobile Shelter Trailer-14 (MST-14)

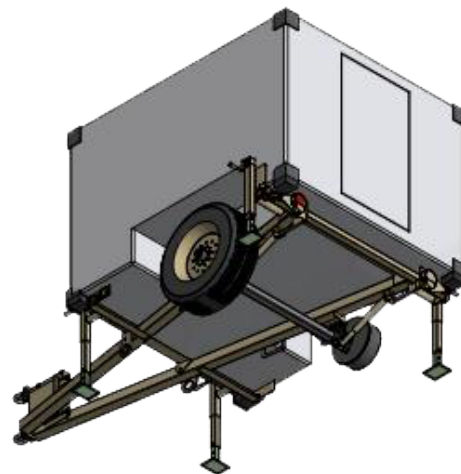
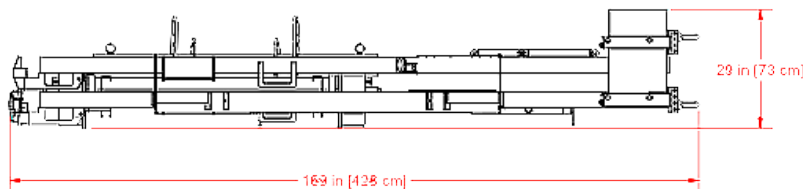
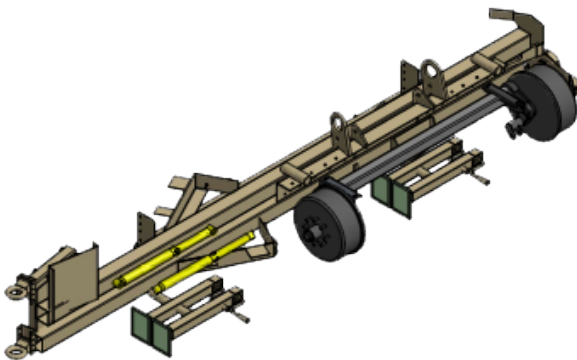
# MST-14



A Lightweight Multipurpose Shelter (LMS) mounted on an MST-14, ready for transport

<b>DIMENSIONS</b>	167"L X 41"H - LMS is 84"W	
<b>AXLE</b>	Single Axle with Rubber Side Suspension	
<b>TIRES</b>	Run Flat Tubeless 37 x 12.5R16/5LT Tires	
<b>MAST</b>	Can be designed for Mast Integration	
<b>TARE WEIGHT</b>	<b>PAYLOAD CAPACITY</b>	<b>MAXIMUM WEIGHT</b>
1,250 lbs.	3,500 lbs. higher payload suspension available upon request	4,750 lbs.

- The MST-14 was designed to provide trailering capabilities for existing and new Lightweight Multi-Purpose Shelters, (LMS)
- Proven “high capacity suspension” and the adjustable coupler system allows LMS products to be trailered behind multiple tow vehicles from HMVEE to MRAP hitch heights
- MST-14 mounts include levelers that allow the shelter to be stabilized while on the MST-14 or stand alone if the MST-14 is disconnected
- Whether the MST-14 is towed, sling loaded, or airlifted, it is a fast, “field adaptable” way to repurpose existing or new LMS products



The MST-14 has a compact folding design that makes it easy to transport and store

The MST-14's A-frame design provides all the necessary support to make the shelter safe during tow and at rest